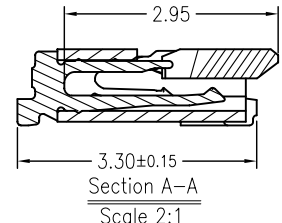
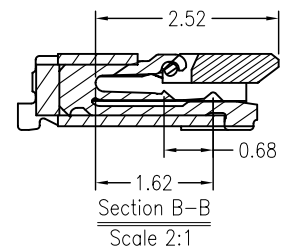
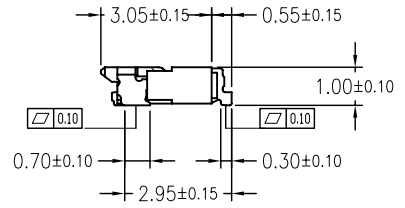
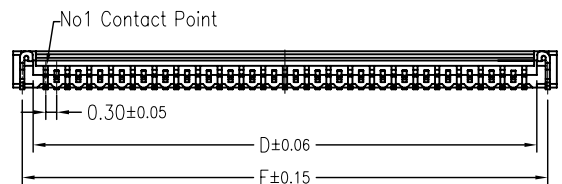


FPC/FFC Insert Direction
Recommended P.C.B Layout

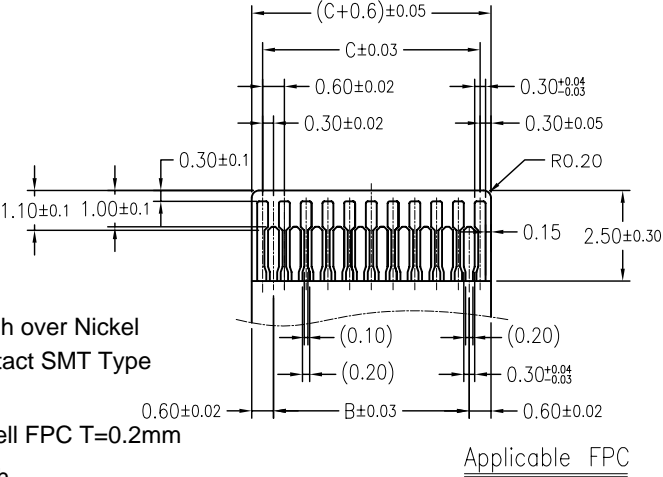


| Number of Contacts | Dimension | | | | |
|--------------------|-----------|-------|-------|-------|-------|
| | A | B | C | D | E |
| 13 | 5.40 | 3.00 | 3.60 | 4.30 | 4.90 |
| 15 | 6.00 | 3.60 | 4.20 | 4.90 | 5.50 |
| 17 | 6.60 | 4.20 | 4.80 | 5.50 | 6.10 |
| 19 | 7.20 | 4.80 | 5.40 | 6.10 | 6.70 |
| 21 | 7.80 | 5.40 | 6.00 | 6.70 | 7.30 |
| 23 | 8.40 | 6.00 | 6.60 | 7.30 | 7.90 |
| 25 | 9.00 | 6.60 | 7.20 | 7.90 | 8.50 |
| 27 | 9.60 | 7.20 | 7.80 | 8.50 | 9.10 |
| 29 | 10.20 | 7.80 | 8.40 | 9.10 | 9.70 |
| 31 | 10.80 | 8.40 | 9.00 | 9.70 | 10.30 |
| 33 | 11.40 | 9.00 | 9.60 | 10.30 | 10.90 |
| 35 | 12.00 | 9.60 | 10.20 | 10.90 | 11.50 |
| 37 | 12.60 | 10.20 | 10.80 | 11.50 | 12.10 |
| 39 | 13.20 | 10.80 | 11.40 | 12.10 | 12.70 |
| 41 | 13.80 | 11.40 | 12.00 | 12.70 | 13.30 |
| 45 | 15.00 | 12.60 | 13.20 | 13.90 | 14.50 |
| 49 | 16.20 | 13.80 | 14.40 | 15.10 | 15.70 |
| 51 | 16.80 | 14.40 | 15.00 | 15.70 | 16.30 |
| 57 | 18.60 | 16.20 | 16.80 | 17.50 | 18.10 |
| 61 | 19.80 | 17.40 | 18.00 | 18.70 | 19.30 |
| 67 | 21.60 | 19.20 | 19.80 | 20.50 | 21.10 |
| 71 | 22.80 | 20.40 | 21.00 | 21.70 | 22.30 |

- Note:
- Material
 - Housing: LCP UL94-V0 Color:Black.
 - Actuator: LCP UL94-V0 Color:Black.
 - Contact: Phosphor Bronze.
 - LEG: Phosphor Bronze.
 - Plating
 - Contact: See Part Number.
 - LEG: Matte Tin Plating Over Nickel.
 - Rating:
 - Operating Voltage: 30V AC/DC.
 - Current Rating: 0.2A AC/DC.
 - Operating Temperature: -55 ~85

FPC 03 10 03-xx L G

- G: Gold flash over Nickel
- L: Low Contact SMT Type
- PIN: 13-71
- 03: Clamshell FPC T=0.2mm
- 1.0mm High
- 0.3mm Pitch



本产品需符合 RoHS SONY00259 其他
※禁止使用本公司所禁用有毒物质

| REV | DESCRIPTION | ECN.NO | BY | DATE |
|-----|----------------------|--------|----|------|
| C | Modify DWG P.C.B Tol | | | |
| B | Modify Plating Spec | | | |
| AO | NEW DWG | | | |

-TOLERANCES-
UNLESS OTHERWISE SPECIFIED
公差參考表

| | | | |
|-------|-------|--------|-----|
| X.X | ±0.30 | X.X° | ±5° |
| X.XX | ±0.20 | X.XX° | ±2° |
| X.XXX | ±0.10 | X.XXX° | ±1° |

深圳市联泽瑞科技有限公司
SHENZHEN LIANZERUI TECHNOLOGY CO.,LTD.

TITLE: FPC 0.3Pitch 1.0H ZIF R/A Connector
產品名稱:

APPD: DWG NO: FPC031003-XXLG
核准: 產品料號:

CHECK: DATE SCALE UNIT PAGE
校對: 1:1 mm 1/2

DRAW: 繪圖: