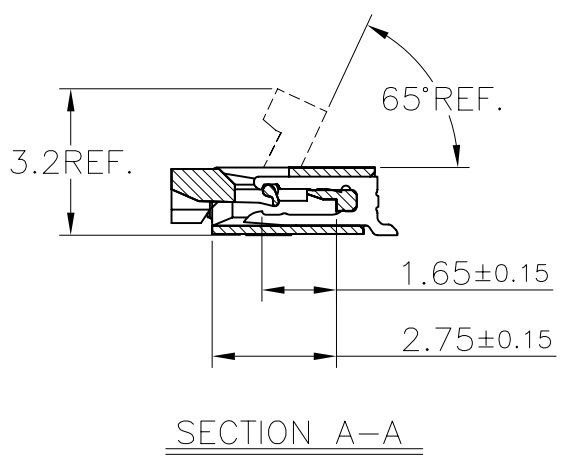
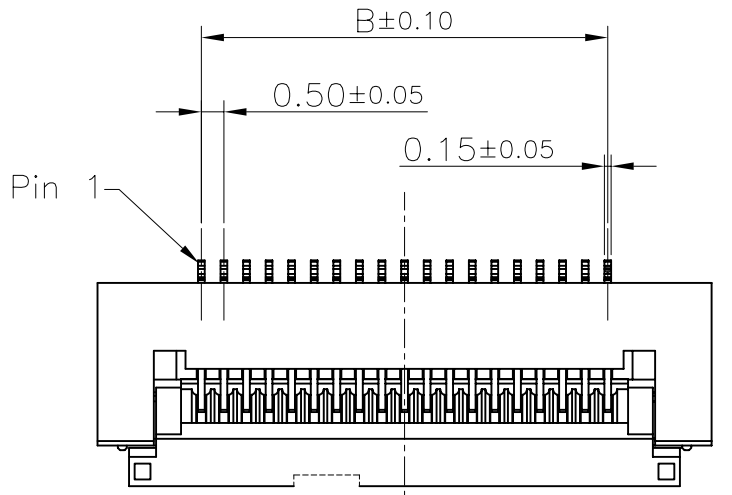
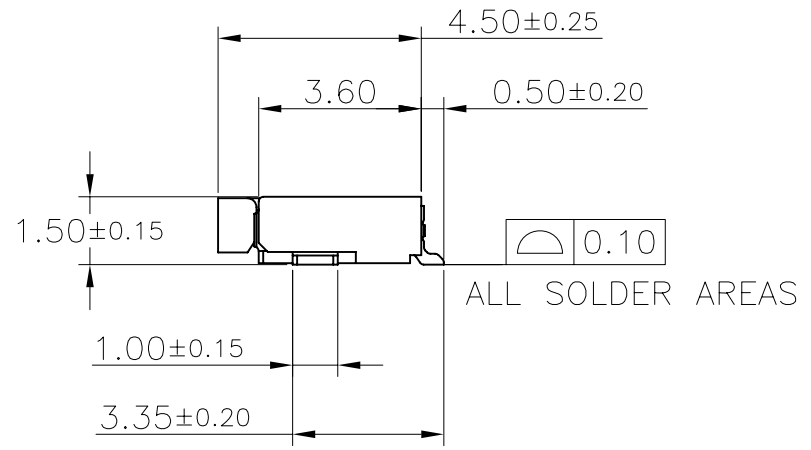
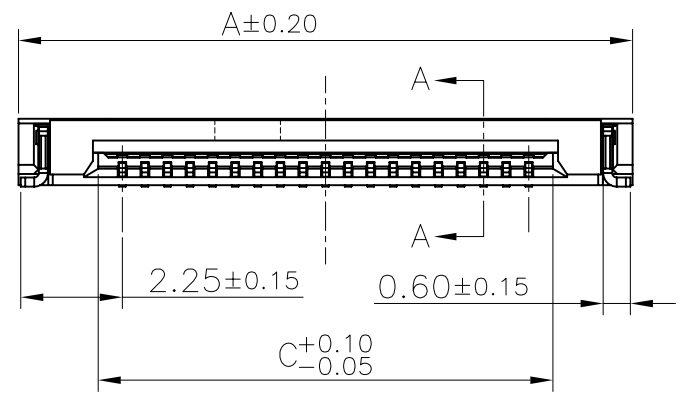


REV.	ECO NO.	DATE	SIGN	DESCRIPTION
A		2009.07.01		NEW DRAWING



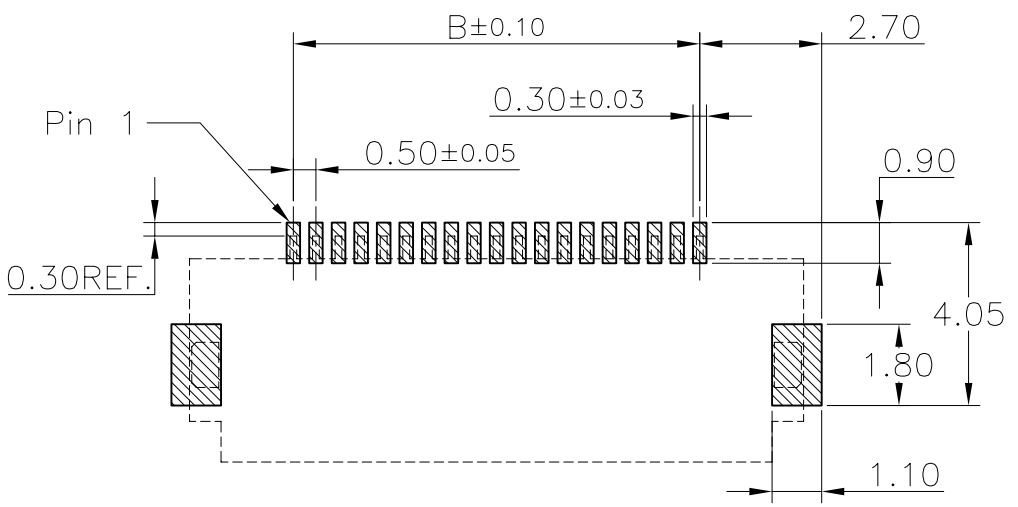
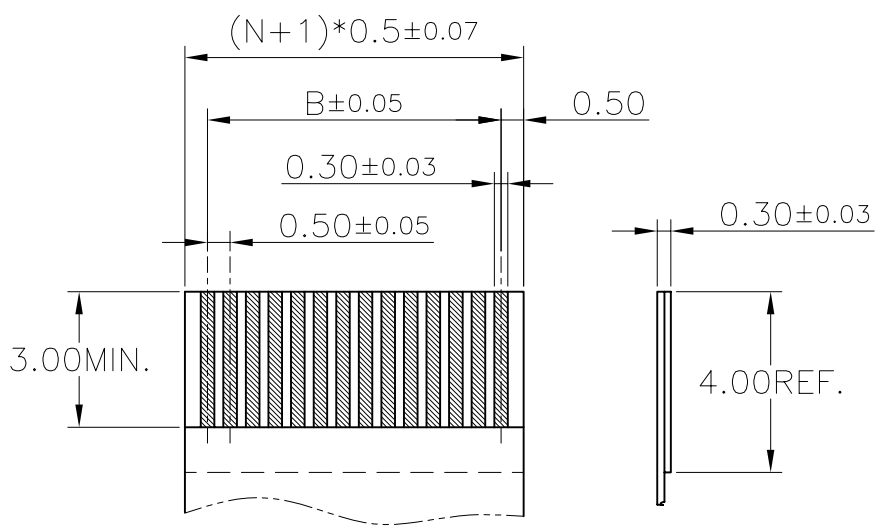
NOTES:

- MATERIAL:  
HOUSING: HIGHT-TEMP PLASTIC,UL 94-V0,COLOR:NATURE;  
COVER: HIGHT-TEMP PLASTIC,UL 94-V0,COLOR:BLACK;  
CONTACT: COPPER ALLOY;  
LEG: COPPER ALLOY;
- PLATING:  
CONTACT: GOLD OR TIN PLATED ON NICKEL OVERALL.  
LEG: TIN PLATED ON NICKEL OVERALL.
- RATING:  
CURRENT RATING: 0.5A AC/DC  
VOLTAGE RATING: 25V AC/DC  
TEMPERATURE RANGE: -25°C~+85°C;
- PART NO:



**FPC 05 15 01-xx L T**

- T: Tin OVER Nickel
- L: Low Contact SMT Type
- PIN:04-60
- 01: Clamshell FFC T=0.3mm
- 1.5mm High
- 0.5mm Pitch
- FPC Connector



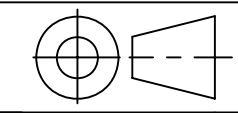
APPLICABLE FFC  
TOLERANCE: ±0.05

RECOMMEND PCB LAYOUT  
TOLERANCE: ±0.05

PIN NO.	DIM. A	DIM. B	DIM. C
14	11.10	6.50	7.57
15	11.60	7.00	8.07
15	11.60	7.00	8.07
16	12.10	7.50	8.57
17	12.60	8.00	9.07
18	13.10	8.50	9.57
19	13.60	9.00	10.07
20	14.10	9.50	10.57
21	14.60	10.00	11.07
22	15.10	10.50	11.57
23	15.60	11.00	12.07
24	16.10	11.50	12.57
25	16.60	12.00	13.07

TOLERANCE UNLESS SPECIFIED		DATE 2009.07.01	DAR. BY	MATERIAL ---
LINEAR	ANGLE	SCALE 1/1	CHK. BY	FINISH ---
.X ±0.25	X° ±2°	UNIT mm	APP. BY	PART NO. ---
.XX ±0.15	.X° ±2°			
.XXX ±0.10	.XX° ±---			

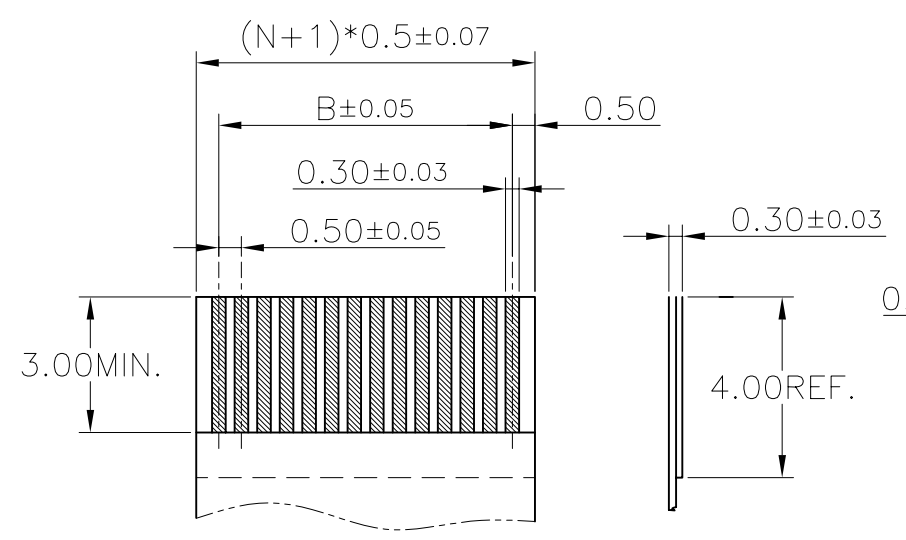
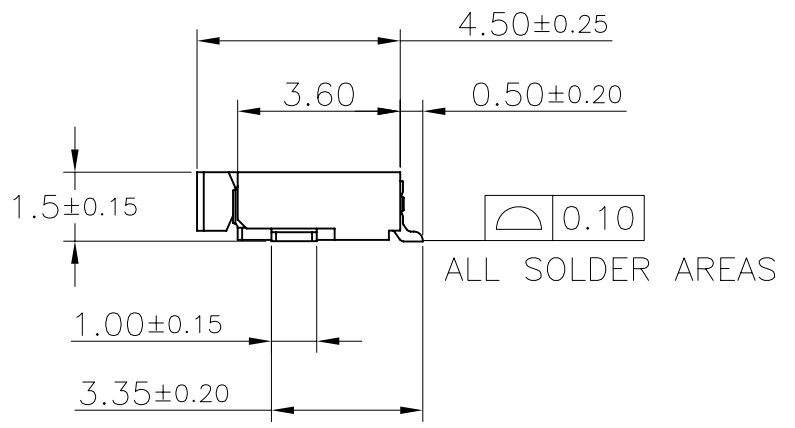
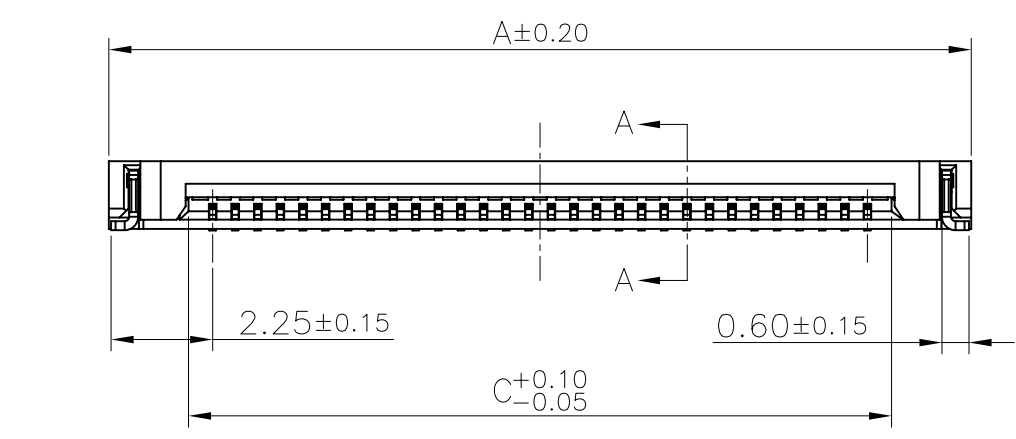
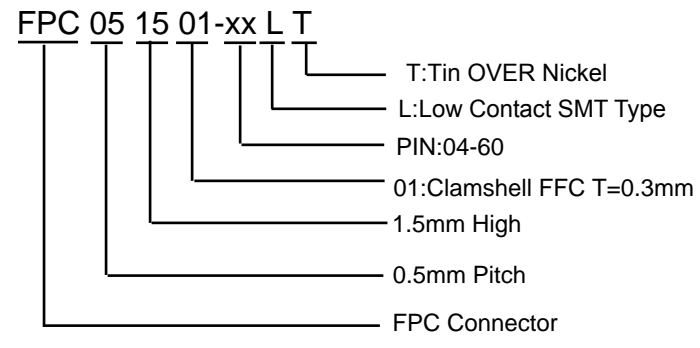
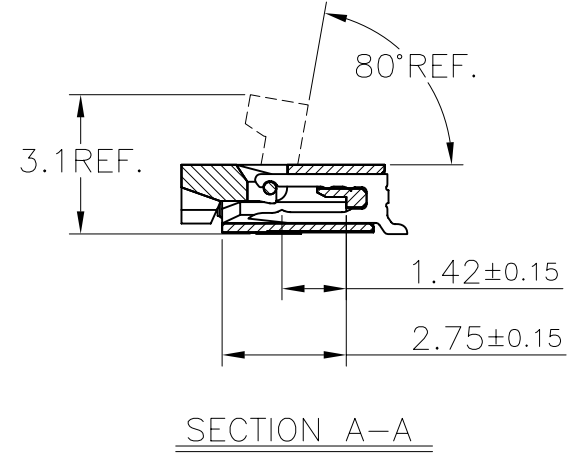
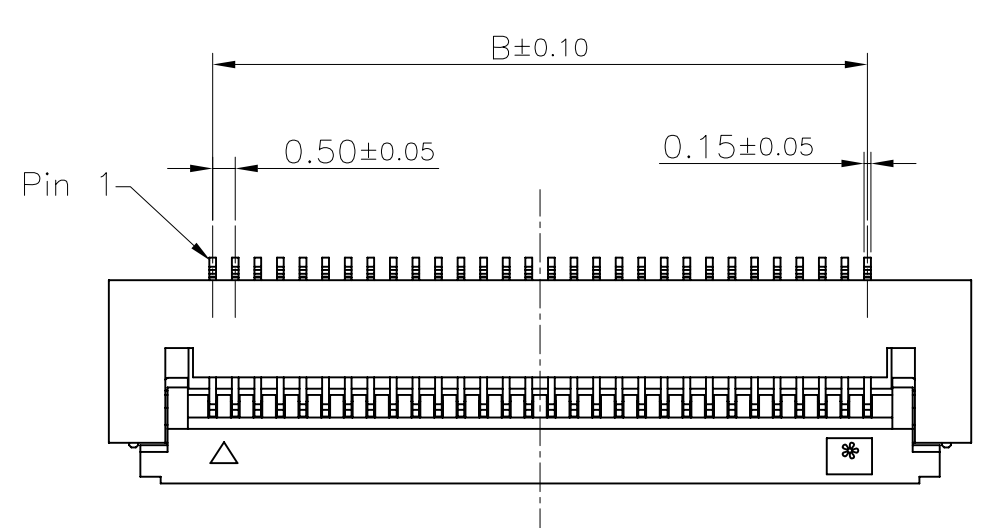
深圳市联泽瑞科技有限公司  
SHENZHEN LIANZERUI TECHNOLOGY CO.,LTD.



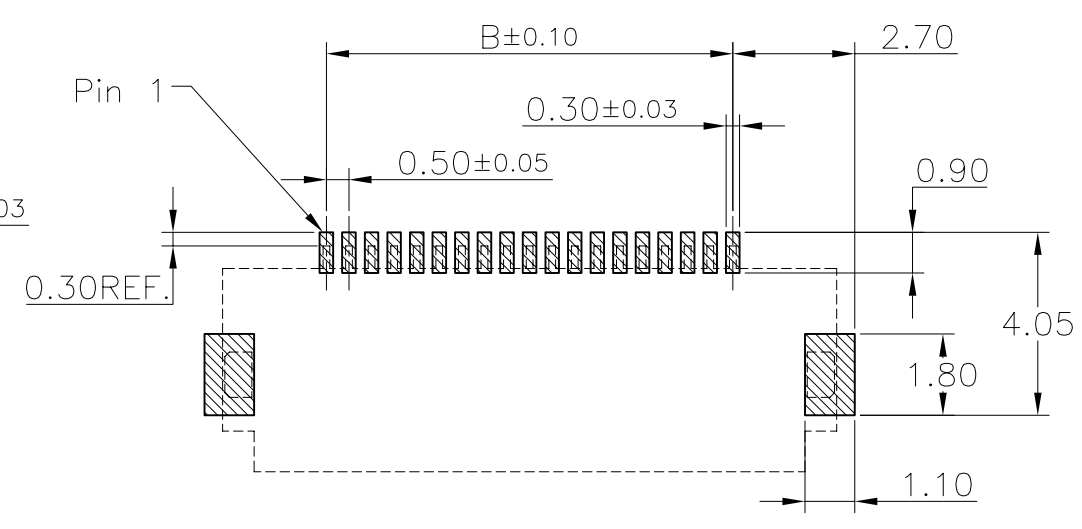
TITLE: FPC 0.5Pitch 1.5H掀盖式 connector  
DWG NO. FPC051501-xxLT  
REV. A

REV.	ECO NO.	DATE	SIGN	DESCRIPTION
A		2009.07.01	黄派通	NEW DRAWING

- NOTES:
- MATERIAL:  
HOUSING: HIGHT-TEMP PLASTIC,UL 94-V0,COLOR:NATURE;  
COVER: HIGHT-TEMP PLASTIC,UL 94-V0,COLOR:BLACK;  
CONTACT: COPPER ALLOY;  
LEG: COPPER ALLOY;
  - PLATING:  
CONTACT: GOLD OR TIN PLATED ON NICKEL OVERALL.  
LEG: TIN PLATED ON NICKEL OVERALL.
  - RATING:  
CURRENT RATING: 0.5A AC/DC  
VOLTAGE RATING: 25V AC/DC  
TEMPERATURE RANGE: -25°C~+85°C;
  - PART NO:



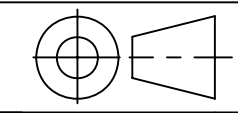
APPLICABLE FFC  
TOLERANCE: ±0.05



RECOMMEND PCB LAYOUT  
TOLERANCE: ±0.05

PIN NO.	DIM. A	DIM. B	DIM. C	PIN NO.	DIM. A	DIM. B	DIM. C
26	17.10	12.50	13.57	43	25.60	21.00	22.07
27	17.60	13.00	14.07	44	26.10	21.50	22.57
28	18.10	13.50	14.57	45	26.60	22.00	23.07
29	18.60	14.00	15.07	46	27.10	22.50	23.57
30	19.10	14.50	15.57	47	27.60	23.00	24.07
31	19.60	15.00	16.07	48	28.10	23.50	24.57
32	20.10	15.50	16.57	49	28.60	24.00	25.07
33	20.60	16.00	17.07	50	29.10	24.50	25.57
34	21.10	16.50	17.57	51	29.60	25.00	26.07
35	21.60	17.00	18.07	52	30.10	25.50	26.57
36	22.10	17.50	18.57	53	30.60	26.00	27.07
37	22.60	18.00	19.07	54	31.10	26.50	27.57
38	23.10	18.50	19.57	55	31.60	27.00	28.07
39	23.60	19.00	20.07	56	32.10	27.50	28.57
40	24.10	19.50	20.57	57	32.60	28.00	29.07
41	24.60	20.00	21.07	58	33.10	28.50	29.57
42	25.10	20.50	21.57	59	33.60	29.00	30.07
				60	34.10	29.50	30.57

TOLERANCE UNLESS SPECIFIED		DATE 2009.07.01	DAR. BY	MATERIAL ---
LINEAR	ANGLE			
.X ±0.25	X° ±2°	SCALE 1/1	CHK. BY	FINISH ---
.XX ±0.15	.X° ±2°			
.XXX ±0.10	.XX° ±---	UNIT mm	APP. BY	PART NO. ---



TITLE: FPC 0.5Pitch 1.5H掀盖式 connector  
 DWG NO. FPC051501-xxLT  
 REV. A