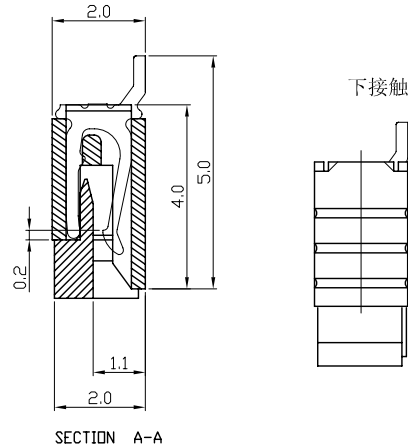


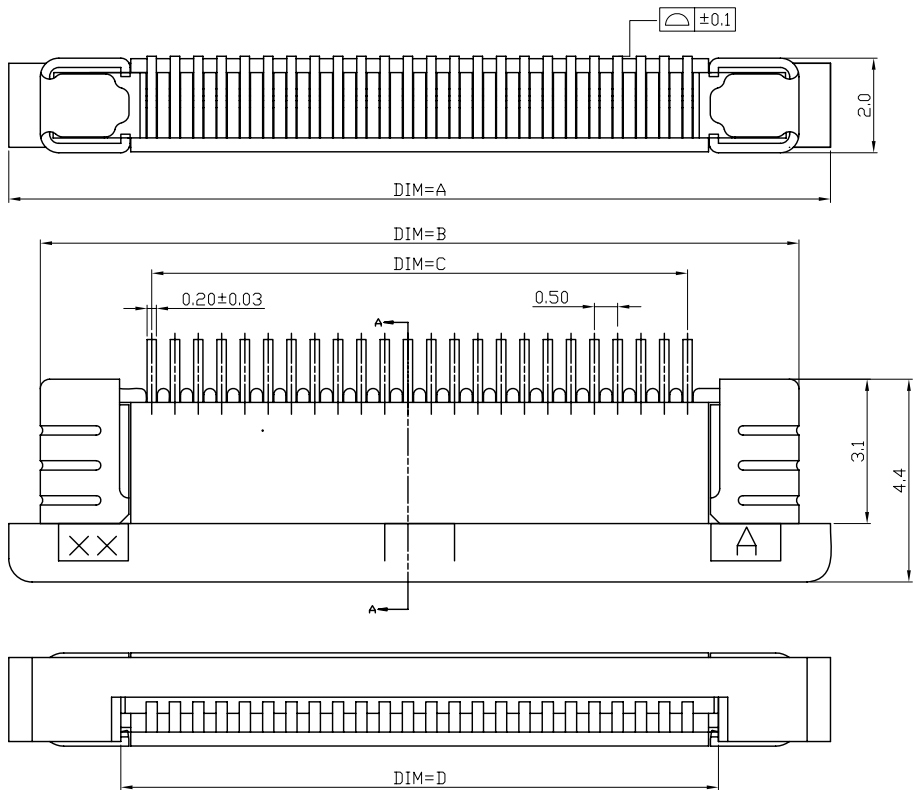
Electrical Characteristics:
 Current rating: 0.4A AC/DC
 Voltage rating: 50V AC/DC
 Temperature range: -25°C~+85°C
 Withstand Voltage: 500V AC/Minute
 Contact Resistance: ≤ 20mΩ
 Insulation resistance: ≥ 500MΩ
 Relative Humidity: 93%±40°C

Material Description:
 Terminal: Phosphor Bronze Tin-plated
 Fitting Nail: Brass Tin-plated
 Housing: Thermoplastic(UL94V-0)
 Slider: Thermoplastic(UL94V-0)



FPC 05 20 02-xx L T
 T: Tin OVER Nickel
 L: Low Contact SMT Type
 PIN:04-60
 02:Drawer FFC T=0.3mm
 2.0mm High
 0.5mm Pitch
 FPC Connector

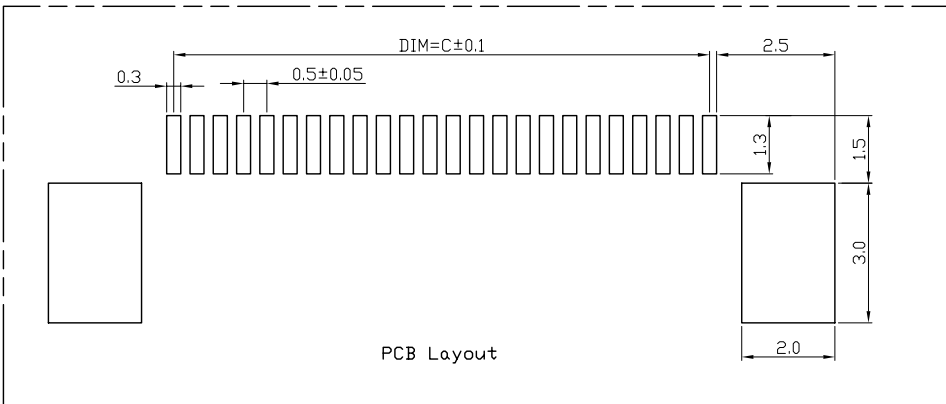
PIN数	DIM=A	DIM=B	DIM=C	DIM=D
34P	22.60	21.50	16.50	17.65
33P	22.10	21.00	16.00	17.15
32P	21.60	20.50	15.50	16.65
31P	21.10	20.00	15.00	16.15
30P	20.60	19.50	14.50	15.65
29P	20.10	19.00	14.00	15.15
28P	19.60	18.50	13.50	14.65
27P	19.10	18.00	13.00	14.15
26P	18.60	17.50	12.50	13.65
25P	18.10	17.00	12.00	13.15
24P	17.60	16.50	11.50	12.65
23P	17.10	16.00	11.00	12.15
22P	16.60	15.50	10.50	11.65
21P	16.10	15.00	10.00	11.15
20P	15.60	14.50	9.50	10.65
19P	15.10	14.00	9.00	10.15
18P	14.60	13.50	8.50	9.65
17P	14.10	13.00	8.00	9.15
16P	13.60	12.50	7.50	8.65
15P	13.10	12.00	7.00	8.15
14P	12.60	11.50	6.50	7.65
13P	12.10	11.00	6.00	7.15
12P	11.60	10.50	5.50	6.65
11P	11.10	10.00	5.00	6.15
10P	10.60	9.50	4.50	5.65
9P	10.10	9.00	4.00	5.15
8P	9.60	8.50	3.50	4.65
7P	9.10	8.00	3.00	4.15
6P	8.60	7.50	2.50	3.65
5P	8.10	7.00	2.00	3.15
4P	7.60	6.50	1.50	2.65



0.5mm Pitch 2.0mm High Drawer touch down

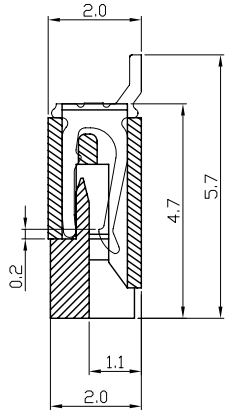
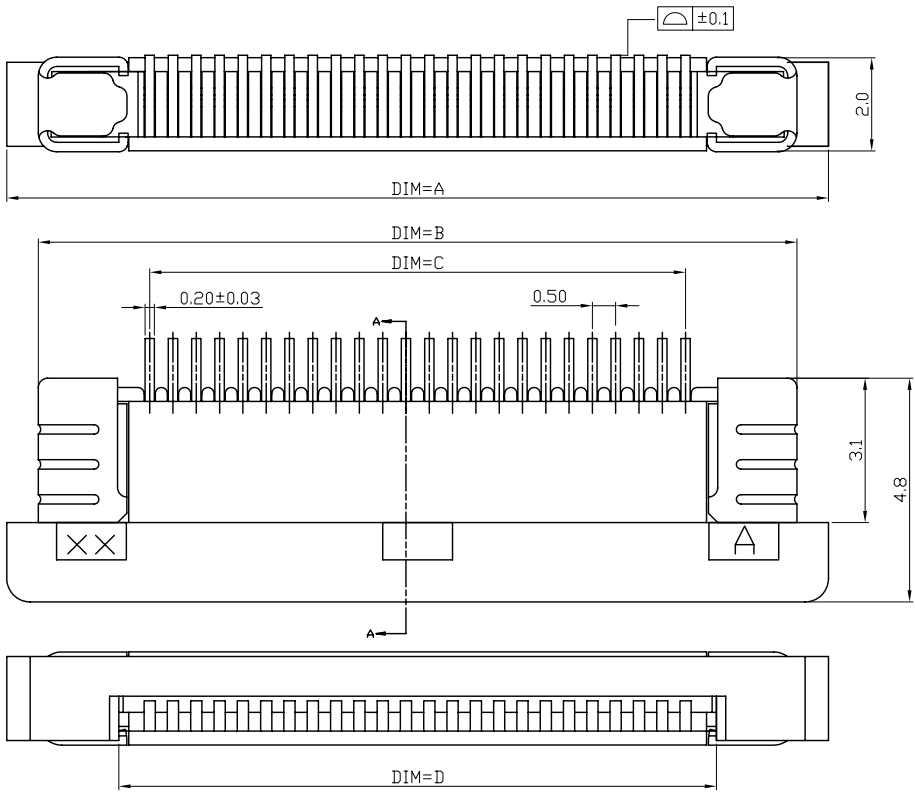
				UNLESS OTHERWISE SPECIFIED TOLERANCES ARE		APPROVED		DATE		PART NO		
				X.X ±0.15		CHECKED		DATE		PFC052002-XXLT		
				X.XX ±0.10		DRAWN		DATE		DRAWING NO		
				X.XXX						COMPUTER NO		
				ANG. ±0°30'		NUMBER		SCALE		NAME		
				UNIT		SIZE		A4		REV		
				MM		A4		FPC 0.5拉拔式 下接产品图		A		
SER	AREA	REVISIONS	CHK	DATE								

深圳市联泽瑞科技有限公司
 SHENZHEN LIANZERUI TECHNOLOGY CO.,LTD.



Electrical Characteristics:
 Current rating: 0.4A AC/DC
 Voltage rating: 50V AC/DC
 Temperature range: -25°C~+85°C
 Withstand Voltage: 500V AC/Minute
 Contact Resistance: $\leq 20m\Omega$
 Insulation resistance: $\geq 500M\Omega$
 Relative Humidity: 93%+40°C

Material Description:
 Terminal: Phosphor Bronze Tin-plated
 Fitting Nail: Brass Tin-plated
 Housing: Thermoplastic(UL94V-0)
 Slider: Thermoplastic(UL94V-0)



PIN数	DIM=A	DIM=B	DIM=C	DIM=D
60P	35.60	34.50	29.50	30.65
59P	35.10	34.00	29.00	30.15
58P	34.60	33.50	28.50	29.65
57P	34.10	33.00	28.00	29.15
56P	33.60	32.50	27.50	28.65
55P	33.10	32.00	27.00	28.15
54P	32.60	31.50	26.50	27.65
53P	32.10	31.00	26.00	27.15
52P	31.60	30.50	25.50	26.65
51P	31.10	30.00	25.00	26.15
50P	30.60	29.50	24.50	25.65
49P	30.10	29.00	24.00	25.15
48P	29.60	28.50	23.50	24.65
47P	29.10	28.00	23.00	24.15
46P	28.60	27.50	22.50	23.65
45P	28.10	27.00	22.00	23.15
44P	27.60	26.50	21.50	22.65
43P	27.10	26.00	21.00	22.15
42P	26.60	25.50	20.50	21.65
41P	26.10	25.00	20.00	21.15
40P	25.60	24.50	19.50	20.65
39P	25.10	24.00	19.00	20.15
38P	24.60	23.50	18.50	19.65
37P	24.10	23.00	18.00	19.15
36P	23.60	22.50	17.50	18.65
35P	23.10	22.00	17.00	18.15

0.5mm Pitch 2.0mm High Drawer touch down

SER	AREA	REVISIONS	CHK	DATE

UNLESS OTHERWISE SPECIFIED TOLERANCES ARE
 X.X ±0.15
 X.XX ±0.10
 X.XXX ±0.05
 ANG. ±0°30'

UNIT: MM

深圳市联泽瑞科技有限公司
 SHENZHEN LIANZERUI TECHNOLOGY CO.,LTD.

APPROVED	DATE	PART NO	PFC052002-XXLT	
CHECKED	DATE	DRAWING NO		
DRAWN	DATE	COMPUTER NO		
NUMBER	SCALE	SIZE	NAME	REV
		A4	PFC0.5拉拔式下接产品图	A