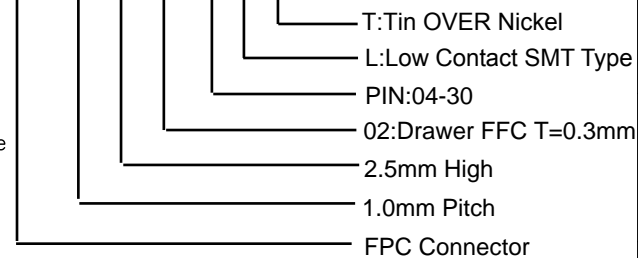
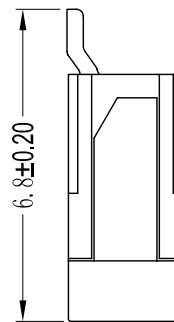
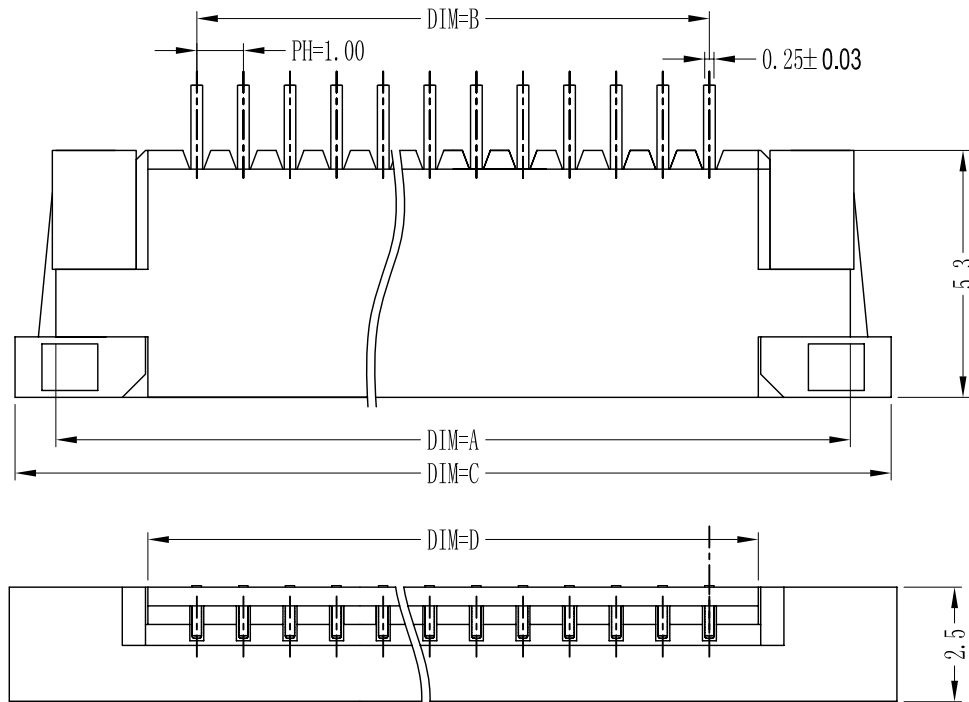


FPC 10 25 02-xx L T

Electrical Characteristics:  
 Current rating: 0.5A AC/DC  
 Voltage rating: 50V AC/DC  
 Temperature range: -25°C~+85°C  
 Withstand Voltage: 500V AC/Minute  
 Contact Resistance:  $\leq 30m\Omega$   
 Insulation resistance:  $\geq 800M\Omega$



Material Description:  
 Contact: Phosphor Bronze Tin-plated  
 Solder Tab: Phosphor Bronze Tin-plated  
 Housing: Thermoplastic(UL94V-0)  
 Slider: Thermoplastic(UL94V-0)



下接触

PIN数	DIM=A	DIM=B	DIM=C	DIM=D
30P	35.1	29.00	37.0	31.10
29P	34.1	28.00	36.0	30.10
28P	33.1	27.00	35.0	29.10
27P	32.1	26.00	34.0	28.10
26P	31.1	25.00	33.0	27.10
25P	30.1	24.00	32.0	26.10
24P	29.1	23.00	31.0	25.10
23P	28.1	22.00	30.0	24.10
22P	27.1	21.00	29.0	23.10
21P	26.1	20.00	28.0	22.10
20P	25.1	19.00	27.0	21.10
19P	24.1	18.00	26.0	20.10
18P	23.1	17.00	25.0	19.10
17P	22.1	16.00	24.0	18.10
16P	21.1	15.00	23.0	17.10
15P	20.1	14.00	22.0	16.10
14P	19.1	13.00	21.0	15.10
13P	18.1	12.00	20.0	14.10
12P	17.1	11.00	19.0	13.10
11P	16.1	10.00	18.0	12.10
10P	15.1	9.00	17.0	11.10
9P	14.1	8.00	16.0	10.10
8P	13.1	7.00	15.0	9.10
7P	12.1	6.00	14.0	8.10
6P	11.1	5.00	13.0	7.10
5P	10.1	4.00	12.0	6.10
4P	9.1	3.00	11.0	5.10

深圳市联泽瑞科技有限公司  
 SHENZHEN LIANZERUI TECHNOLOGY CO.,LTD.

				UNLESS OTHERWISE SPECIFIED TOLERANCES ARE X.X ±0.20 X.XX ±0.10 X.XXX ±0'30'		APPROVED DATE		PART NO FPC102502-xxLT	
						CHECKED DATE		DRAWING NO	
						DRAWN DATE		COMPUTER NO	
						NUMBER		SCALE SIZE NAME 8:1 A3 FPC 1.0 一代下接成品图	
						UNIT MM		REV A	